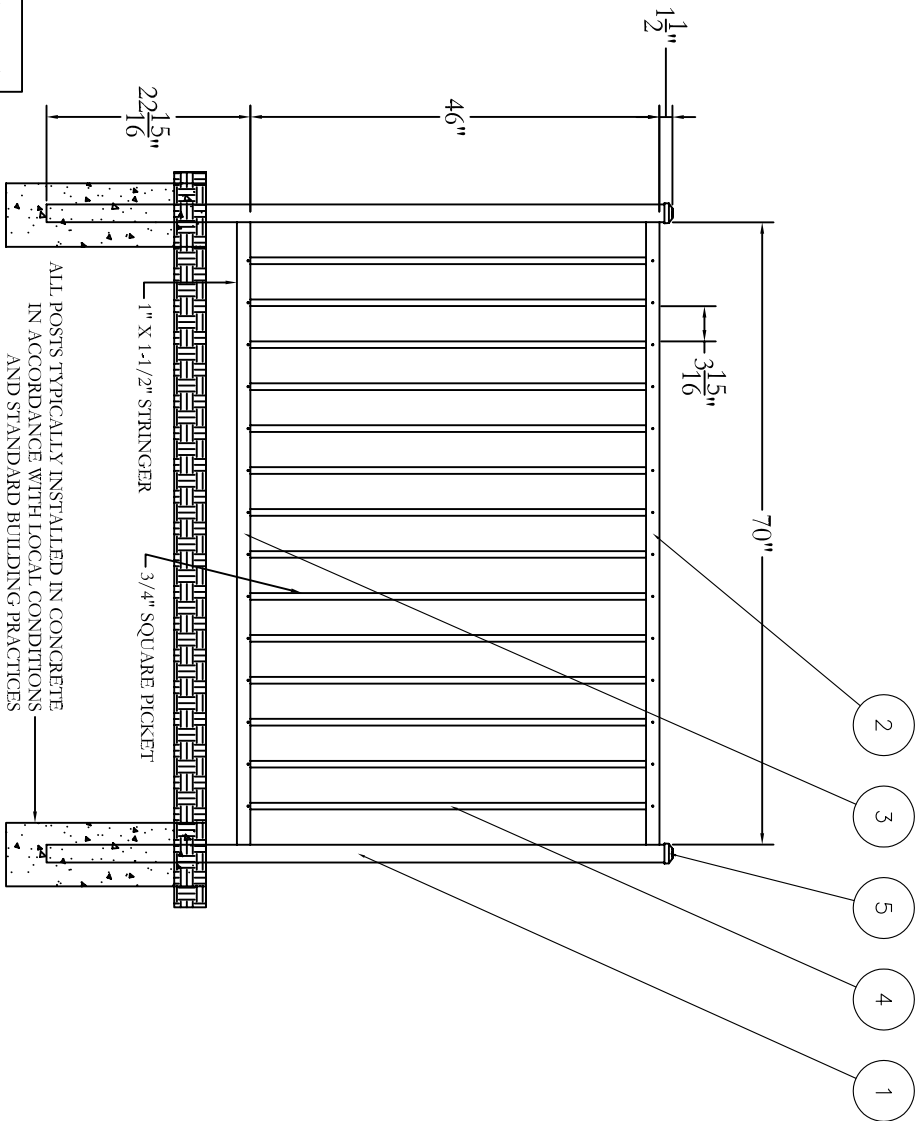


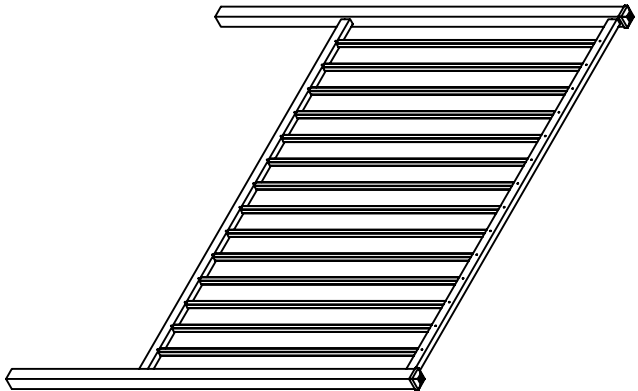
FENCE PARTS		
Name	Qty	Item
2" POST	2	1
71-1/2" - 14 HOLE POOL HEADER	1	2
71-1/2" - 14 HOLE POOL STRINGER	1	3
OVA-48 PICKET	14	4
2" ALUMINUM POST CAP	2	5




ALL POSTS TYPICALLY INSTALLED IN CONCRETE IN ACCORDANCE WITH LOCAL CONDITIONS AND STANDARD BUILDING PRACTICES

1" X 1-1/2" STRINGER

3/4" SQUARE PICKET



DATE	BY	DESCRIPTION	REVISION	DATE	BY	APPROVED
NC	NC	INITIAL RELEASE				


Gowth
 Manufacturing Co., Inc.
 Philadelphia, PA 19154
 (800) 344-2242

DRAWING:
OVATION FENCE
48" HEIGHT

SIZE	DWG NO.	DATE	SHEET	REV
D	OY48USN	1-1-04	1 OF 1	NC
SCALE				

© 2005. This drawing may not be altered or reproduced without the permission of Jerth Manufacturing Co., Inc.