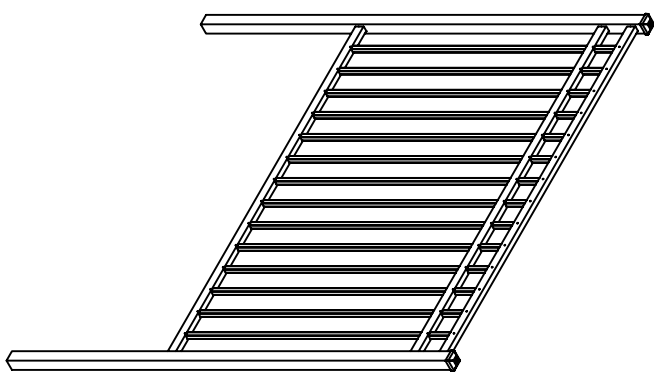
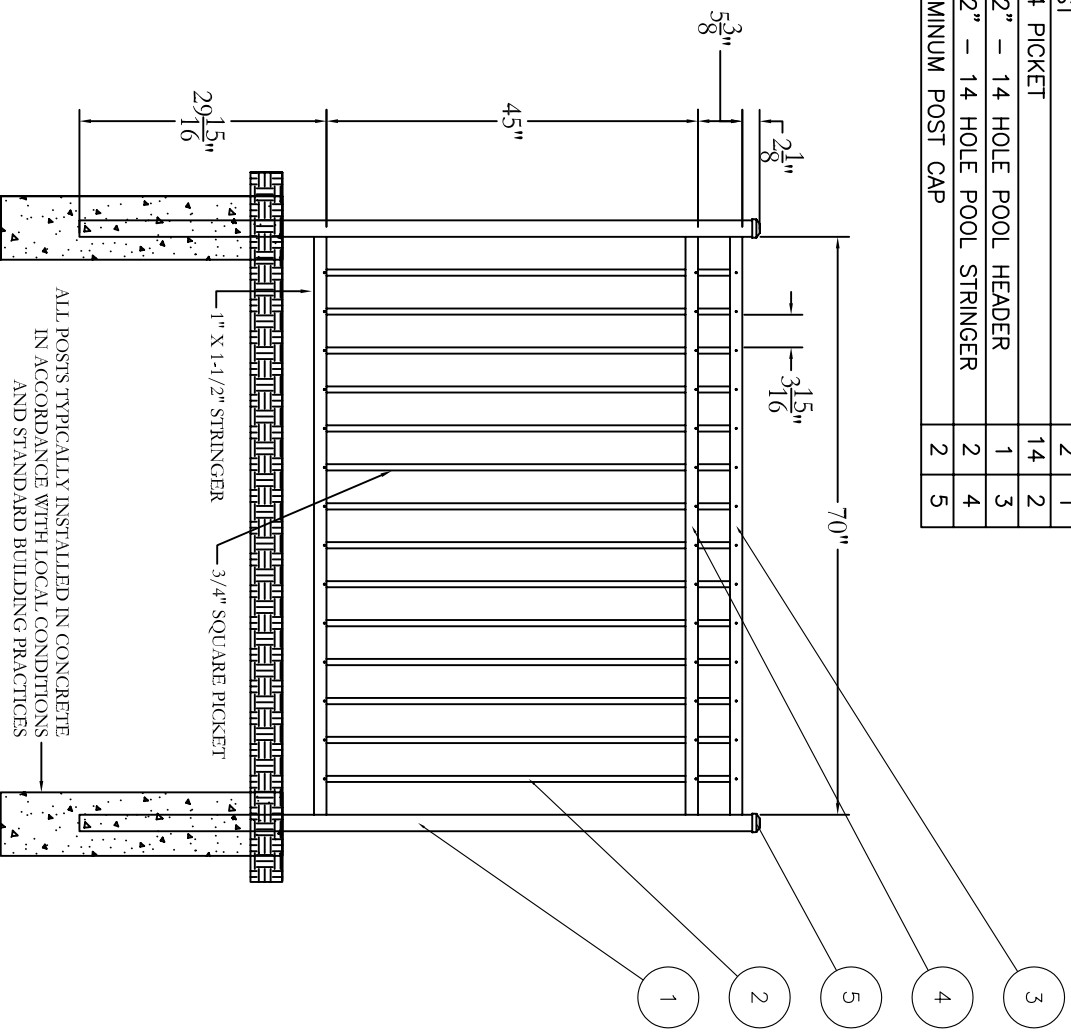


FENCE PARTS		
Name	Qty	Item
2" POST	2	1
WIN-54 PICKET	14	2
71-1/2" - 14 HOLE POOL HEADER	1	3
71-1/2" - 14 HOLE POOL STRINGER	2	4
2" ALUMINUM POST CAP	2	5



DATE	BY	DESCRIPTION	REVISION	DATE	BY	APPROVED
NC	NC	INITIAL RELEASE				


Gowth
 Manufacturing Co., Inc.
 Philadelphia, PA 19154
 (800) 344-2242

DRAWING:

WINDSOR FENCE
54" HEIGHT

SIZE	DWG NO.	REV
D	RG54UWSN	NC
SCALE	DATE	SHEET
1-1.05	1-1.05	1 OF 1

© 2005. This drawing may not be altered or reproduced without the permission of Jerth Manufacturing Co., Inc.