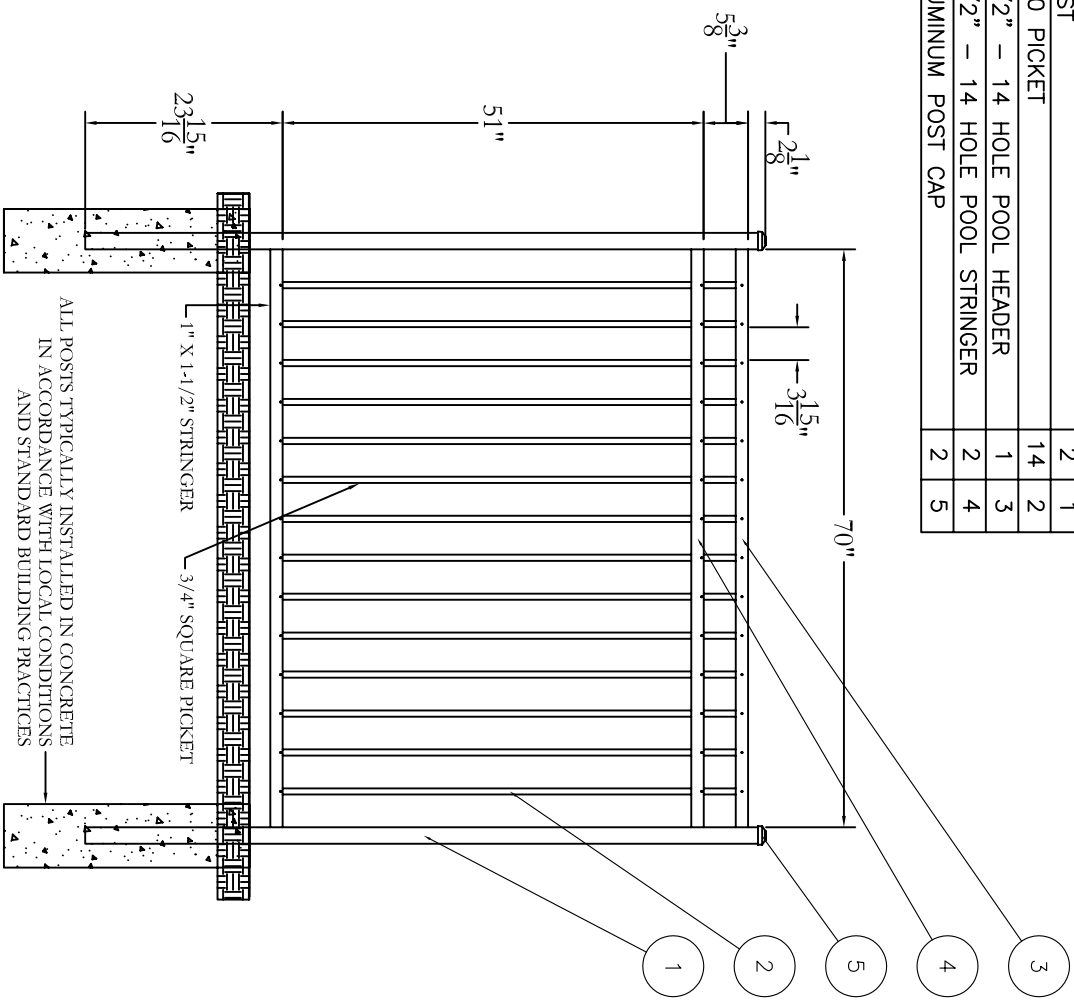


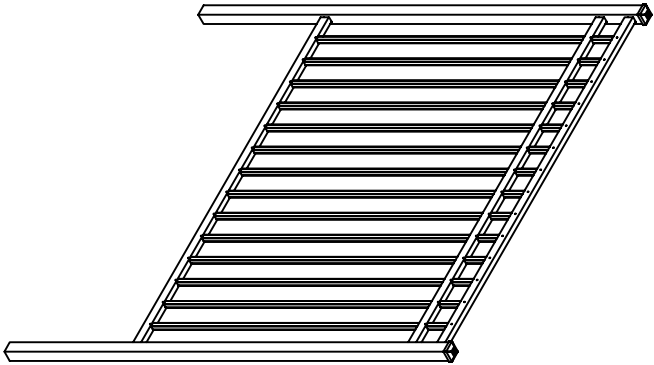
FENCE PARTS		Qty	Item
Name			
2" POST		2	1
WIN-60 PICKET		14	2
71-1/2" - 14 HOLE POOL HEADER		1	3
71-1/2" - 14 HOLE POOL STRINGER		2	4
2" ALUMINUM POST CAP		2	5



ALL POSTS TYPICALLY INSTALLED IN CONCRETE
IN ACCORDANCE WITH LOCAL CONDITIONS
AND STANDARD BUILDING PRACTICES

© 2005. This drawing may not be altered
or reproduced without the permission of
Jerth Manufacturing Co., Inc.

DATE	BY	DESCRIPTION	REVISION	DATE	BY	APPROVED
NC		INITIAL RELEASE				



Jerth
Manufacturing Co., Inc.
Philadelphia, PA 19154
(800) 344-2242

DRAWING:
WINDSOR FENCE
60" HEIGHT

SIZE	DWG NO.	REV
D	RG60UWSN	NC
SCALE	DATE	SHEET
	1-1-05	1 OF 1