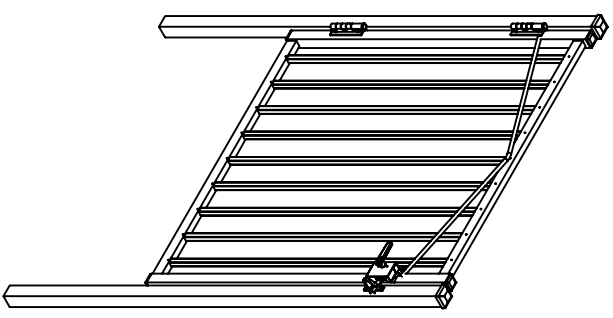
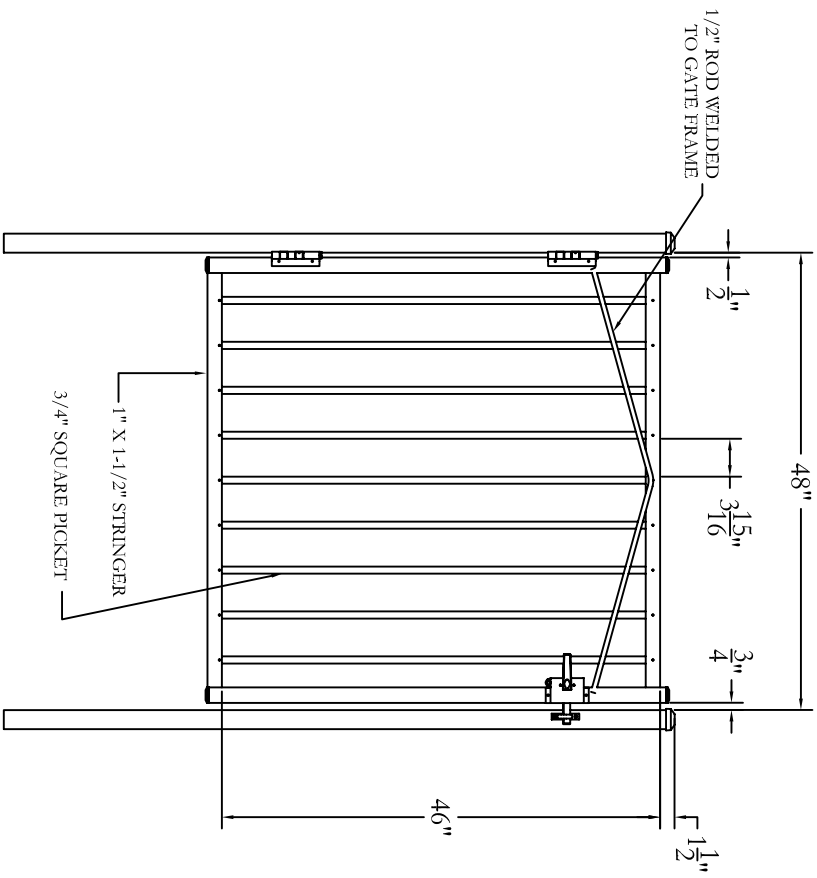


DATE	BY	DESCRIPTION	REVISION	DATE	BY	APPROVED
—	NC	INITIAL RELEASE				



  
**Gouth**  
 Manufacturing Co., Inc.  
 Philadelphia, PA 19154  
 (800) 344-2242

DRAWING:  
**OVATTON GATE**  
**48" HIGH X 48" WIDE**

SIZE	DWG NO.	REV
D	OY48U48	NC
SCALE	DATE	SHEET
	2-25-04	1 OF 1

© 2004. This drawing may not be altered or reproduced without the permission of Jerrth Manufacturing Co., Inc.