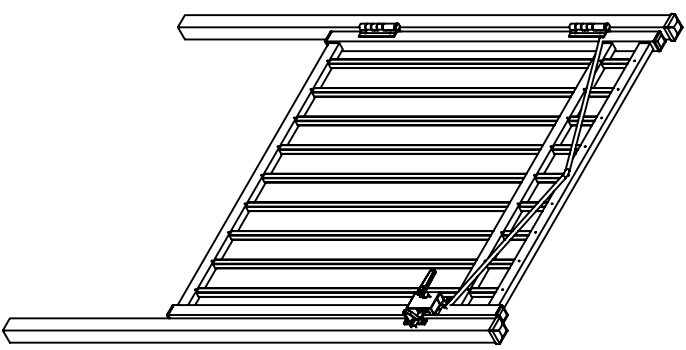
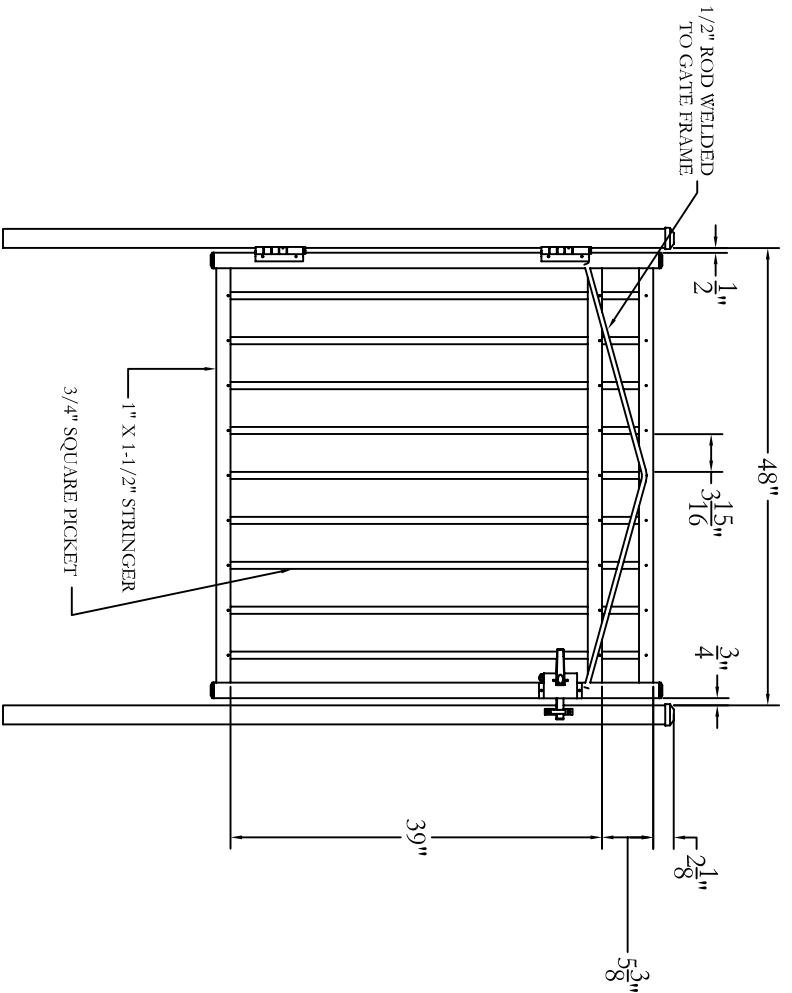


REV	DATE	DESCRIPTION	BY	APPROVED
NC		INITIAL RELEASE		



  
**Jerrith**  
 Manufacturing Co., Inc.  
 Philadelphia, PA 19154  
 (800) 344-2242

DRAWING:  
**WINDSOR GATE**  
**48" HIGH X 48" WIDE**

SIZE	DWG NO.	REV
D	RG48UW48	NC
SCALE	DATE	SHEET
	2-25-04	1 OF 1

© 2004. This drawing may not be altered or reproduced without the permission of Jerrith Manufacturing Co., Inc.