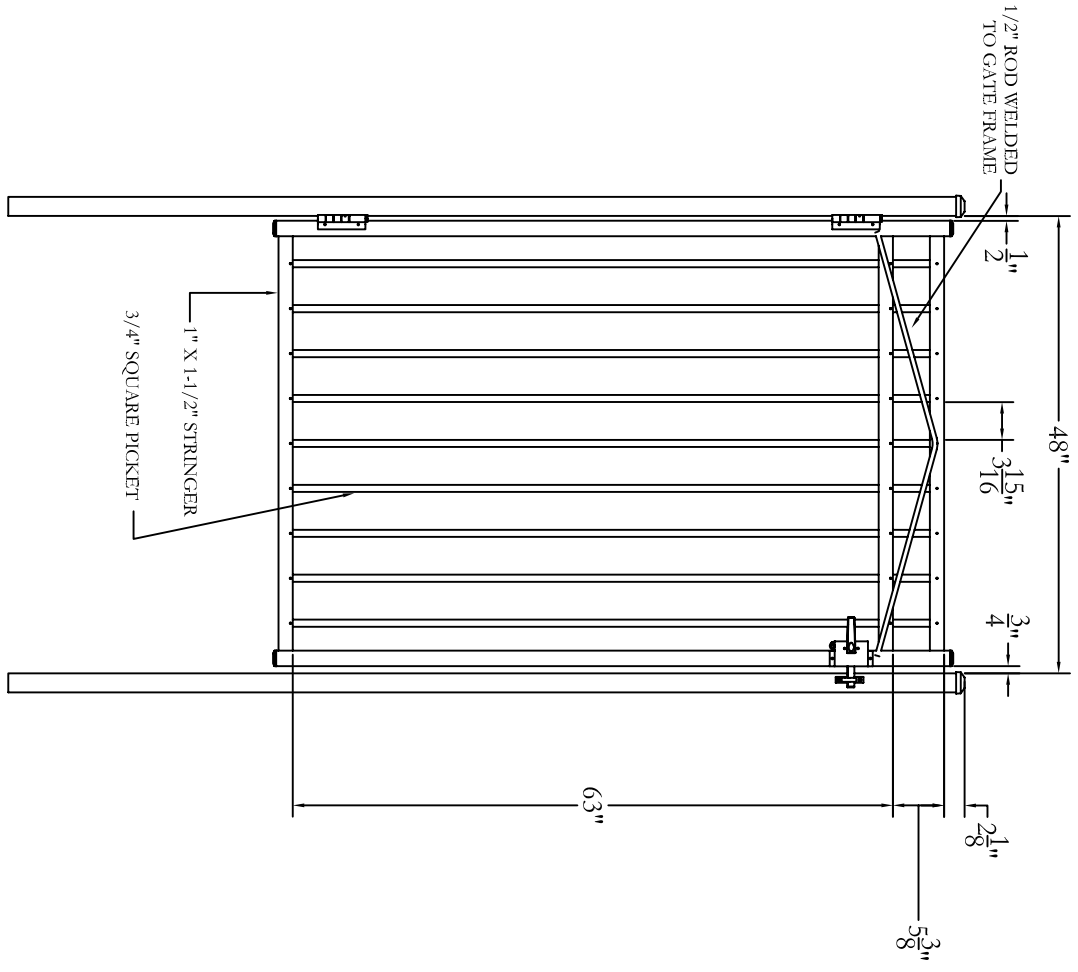
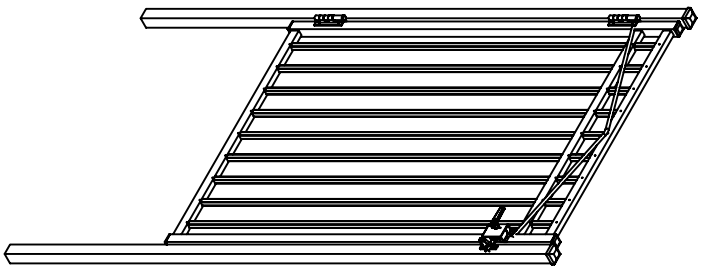


REV	DESCRIPTION	DATE	APPROVED
NC	INITIAL RELEASE		



*South*  
 Manufacturing Co., Inc.  
 Philadelphia, PA 19154  
 (800) 344-2242

DRAWING:  
 WINDSOR GATE  
 72" HIGH X 48" WIDE

SIZE	DWG NO.	REV
D	RG72UW48	NC
SCALE	DATE	SHEET
	2-25-04	1 OF 1

© 2004. This drawing may not be altered or reproduced without the permission of Jerth Manufacturing Co., Inc.