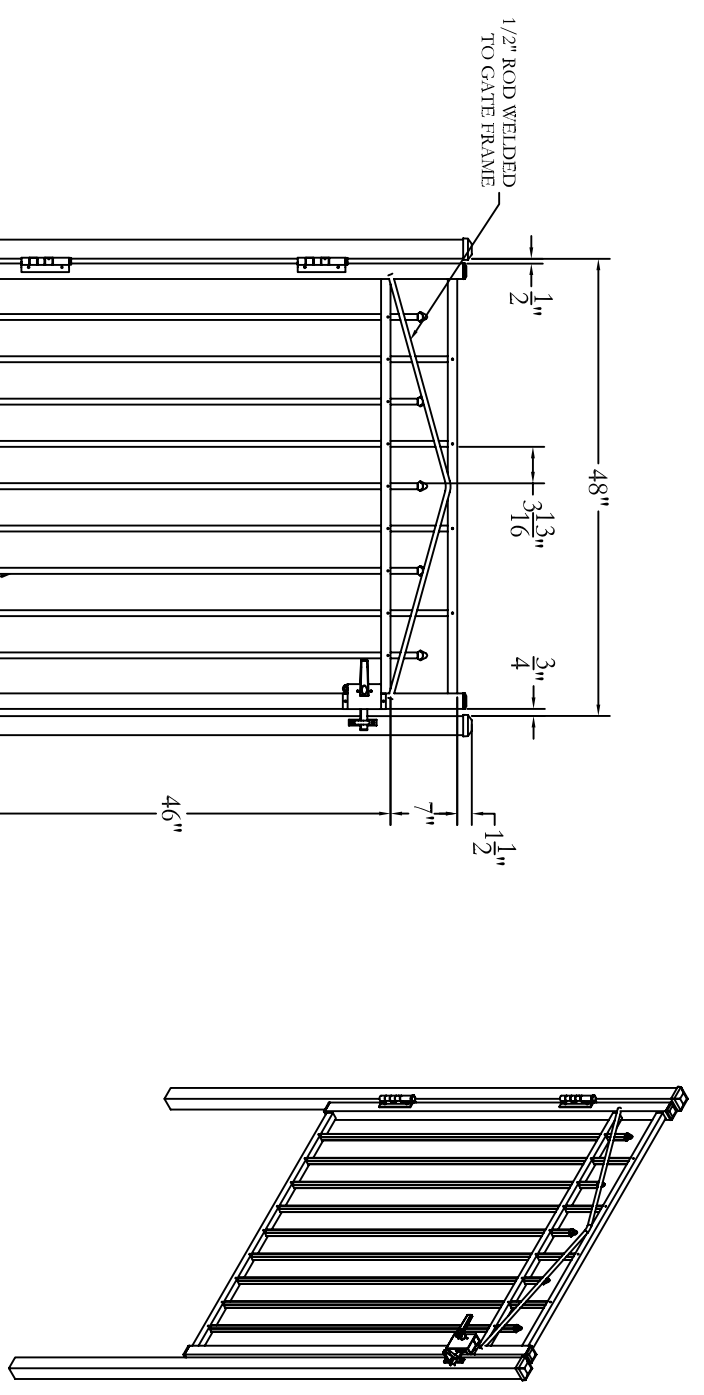


DATE	BY	DESCRIPTION	REVISION	DATE	BY	APPROVED
—	NC	INITIAL RELEASE				



*Jerth*  
 Manufacturing Co., Inc.  
 Philadelphia, PA 19154  
 (800) 344-2242

DRAWING:  
 RESIDENTIAL GATE  
 STYLE #200  
 54" HIGH X 48" WIDE

SIZE	DWG NO.	REV
D	RS54U20048	NC
SCALE	DATE	SHEET
	1-1-05	1 OF 1

© 2005. This drawing may not be altered or reproduced without the permission of Jerth Manufacturing Co., Inc.

