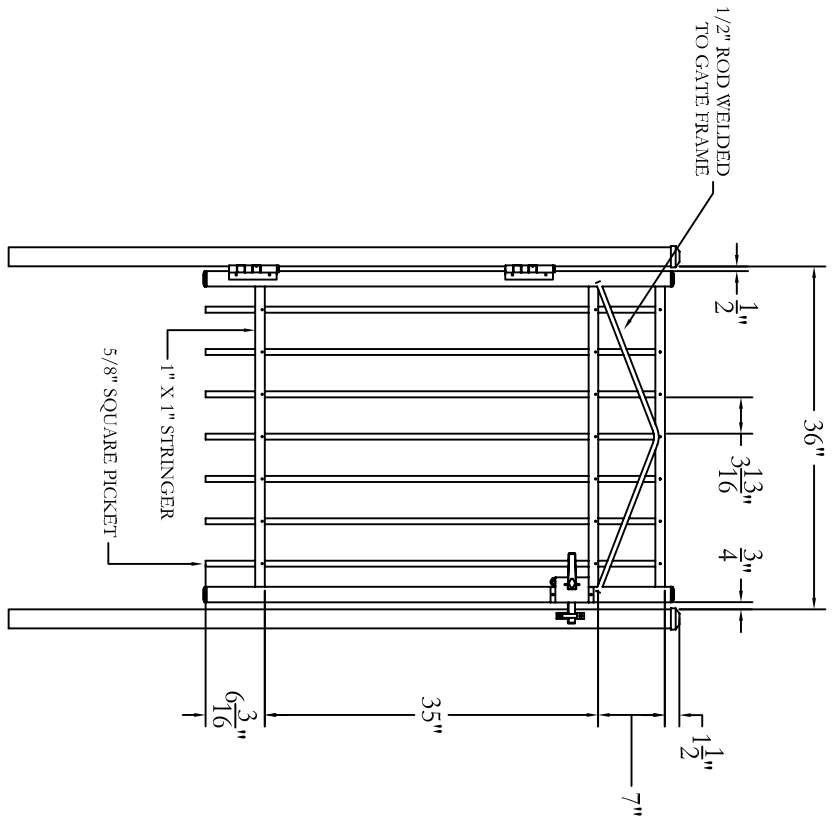
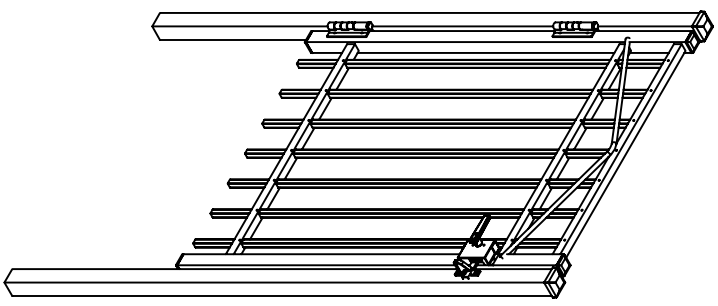


DATE	BY	DESCRIPTION	REVISION	DATE	BY	APPROVED
NC	NC	INITIAL RELEASE				



*Jerth*  
 Manufacturing Co., Inc.  
 Philadelphia, PA 19154  
 (800) 344-2242

DRAWING:  
 RESIDENTIAL GATE  
 STYLE #202  
 48" HIGH X 36" WIDE

SIZE	DWG NO.	REV
D	RS48U20236	NC
SCALE	DATE	SHEET
1-1.05	1-1.05	1 OF 1

© 2005. This drawing may not be altered or reproduced without the permission of Jerth Manufacturing Co., Inc.