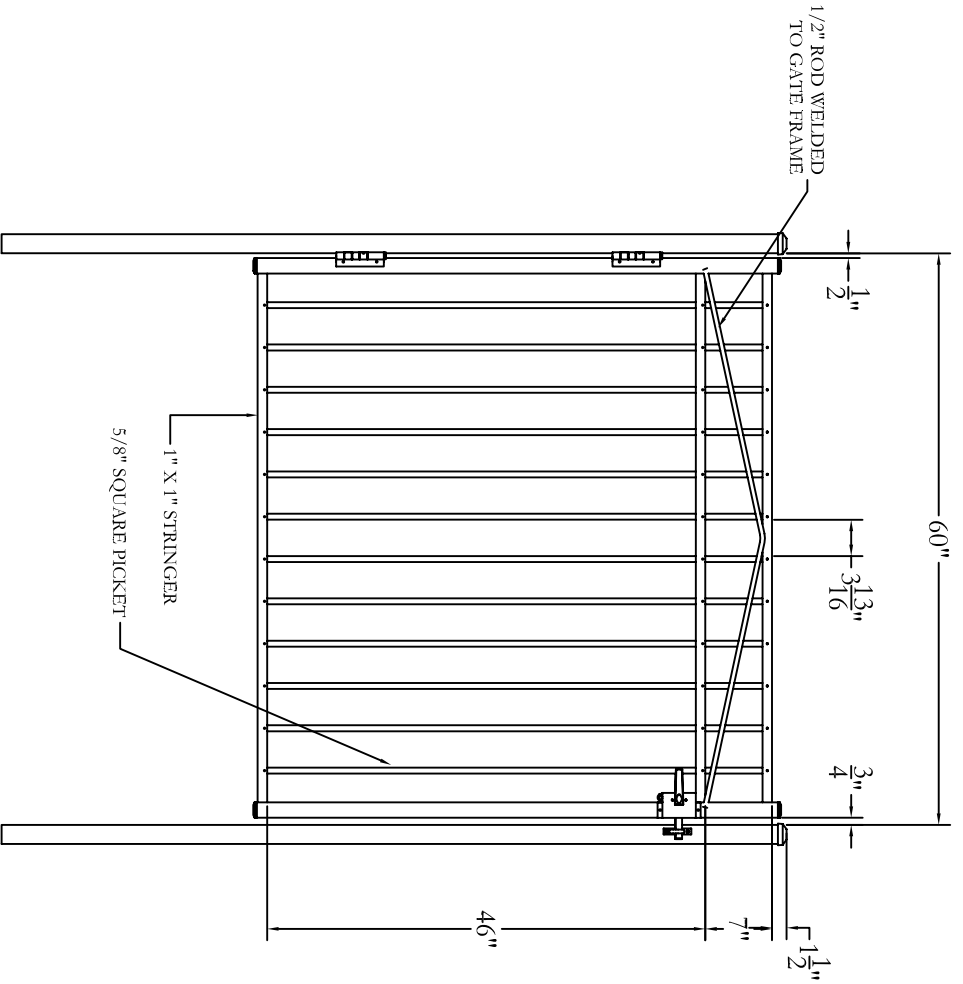
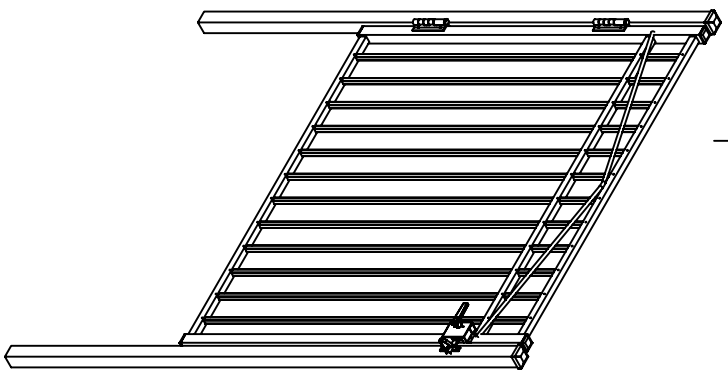


DATE	BY	DESCRIPTION	REVISION	DATE	BY	APPROVED
NC	NC	INITIAL RELEASE				



*Jerth*  
 Manufacturing Co., Inc.  
 Philadelphia, PA 19154  
 (800) 344-2242

DRAWING:  
 RESIDENTIAL GATE  
 STYLE #202  
 54" HIGH X 60" WIDE

SIZE	DWG NO.	DATE	SHEET	REV
D	RS54U20260	1-1-05	1 OF 1	NC
SCALE				

© 2005. This drawing may not be altered or reproduced without the permission of Jerth Manufacturing Co., Inc.