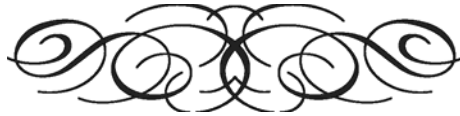


THE STRENGTH OF BEAUTY



BARREL HINGE INSTALLATION DT3474-50

POST MOUNT

STEP 1: Align groove (Detail A) in backside of post leaf with back of gate post and mark 4 hole locations.

STEP 2: Drill 4 hole locations through post with 5/16" drill.

STEP 3: Attach hinge to post using appropriate bolts (see chart).

STEP 4: Drill and attach gate to hinge using 5/16-18 bolts and acorn nuts (included). Refer to chart for appropriate length bolts.

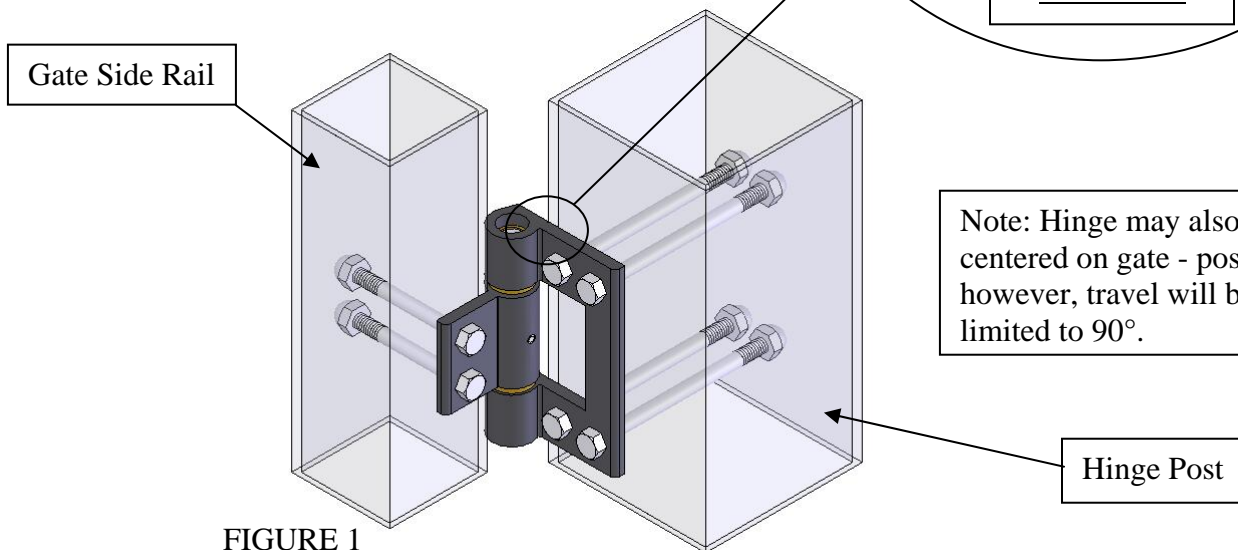
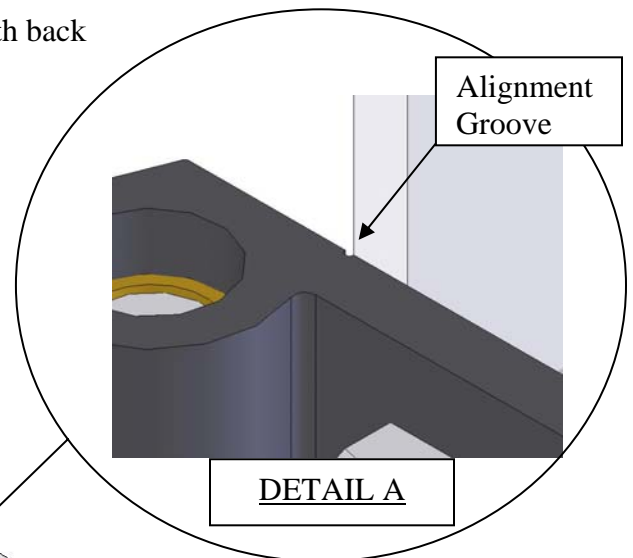


FIGURE 1

Hinge Shown in 90° Open Position

EXISTING COLUMN MOUNT

Step 1: Drill holes in existing column with masonry bit and attach hinge with lag screws and masonry anchors or with hit anchor system (anchors should be capable of resisting pull forces equal to or greater than 400 lbs).

Step 2: Drill and attach gate using included hardware: acorn nuts, and appropriate length bolt.

NEW COLUMN MOUNT:

Step 1: Set 5/16" – 18 J-bolts or masonry anchors (not included) in the column using template provided (Figure 3)

Step 2: After appropriate curing time attach gate using appropriate hardware (see post mount

CONFIGURATION	3" BOLT	3 1/2" BOLT	4 1/2" BOLT	6 1/2" BOLT	ACORN NUT
2 1/2" GATE SIDE RAIL	4				4
3" GATE SIDE RAIL		4			4
2 1/2" POST	8				8
4" POST			8		8
6" POST				8	8

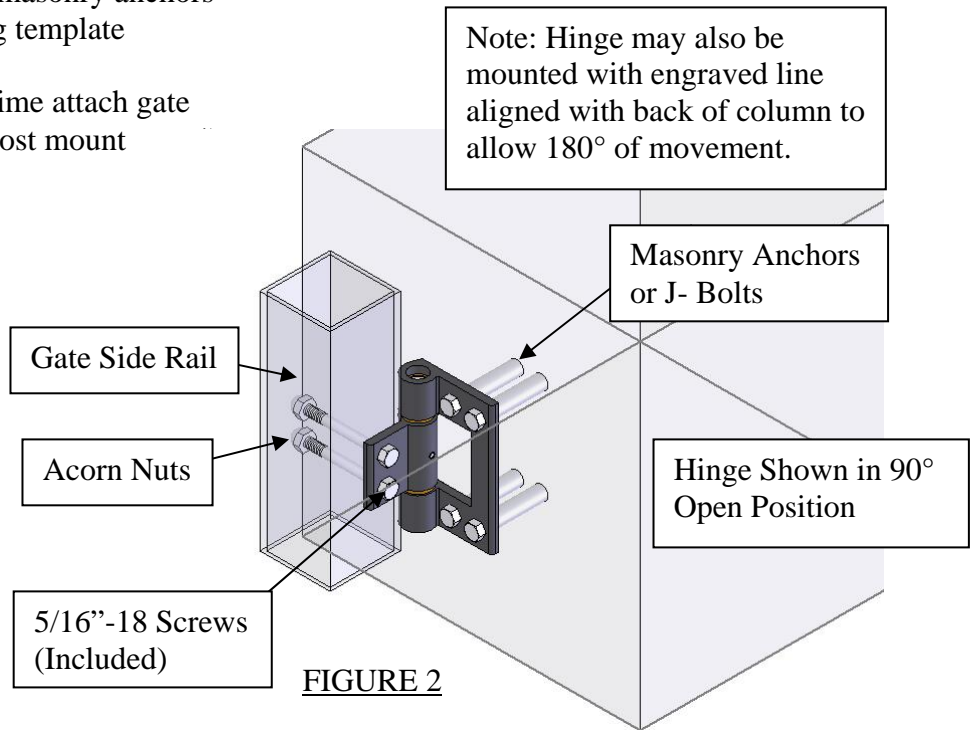
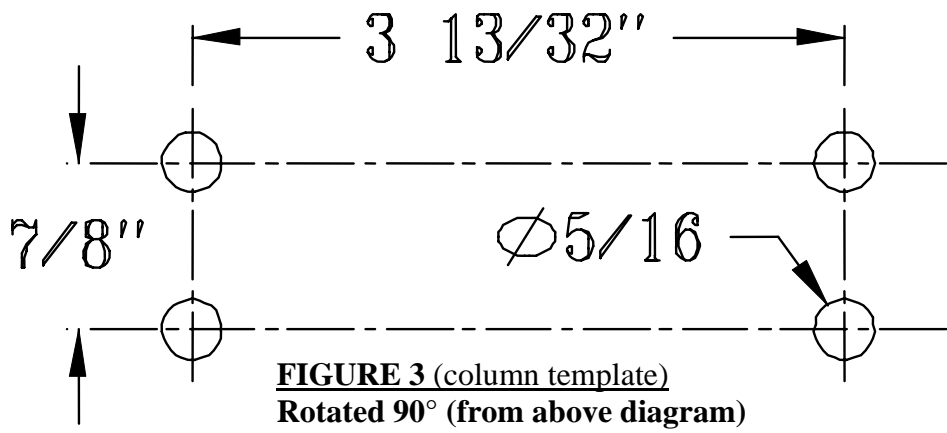


FIGURE 2



**FIGURE 3 (column template)
Rotated 90° (from above diagram)**

Additional Hint: Remember to order matching Delgard touch-up paint in cans or pens to touch-up mill fasteners for that finished look.