

DELGARD™

PREMIER ALUMINUM FENCING

THE STRENGTH OF BEAUTY



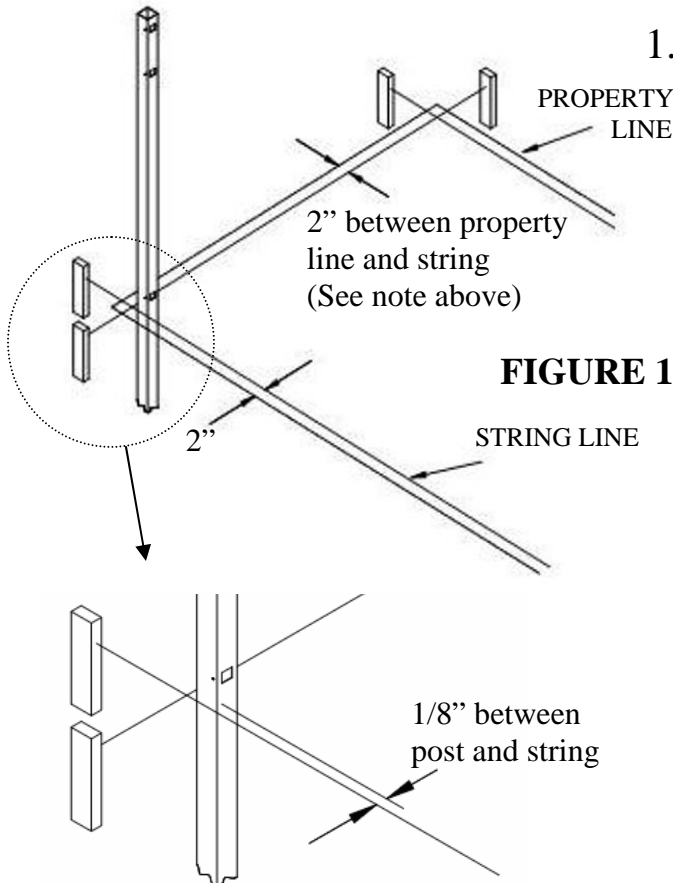
AERO GRADE GATE INSTALLATION MANUAL

GIVE THIS MANUAL TO THE HOMEOWNER UPON COMPLETION

DT3333-60

CAUTION: This manual is for **commercial** gates only. All fence and gates **must** be installed to conform with B.O.C.A. Specifications and/or local building code regulations.

Note: Local municipalities may require a setback from property line to fence line, otherwise, it is recommended to be 2" inside the property line. It is important to find out all the requirements before installing your fence.

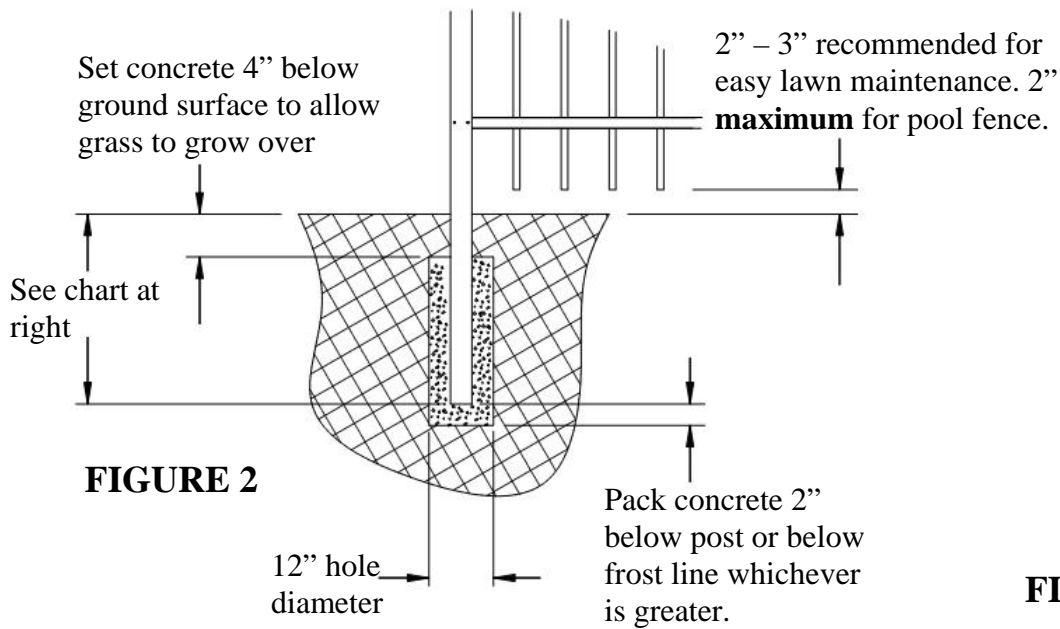


1. Layout and Planning

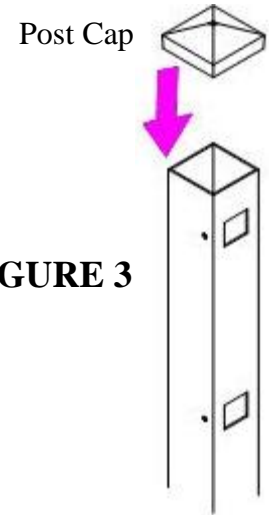
- 1.1. First stake out the area and run strings around as shown in Figure 1. Gates need to be located on level ground.
- 1.2. Proceed to dig post holes approximately 3" to 4" wider than the gate on centers. See Figure 2 (on next page) for post hole depth.
- 1.3. Be sure to separate the gate posts from other fence posts. Gate posts have a thicker wall than other fence posts. To prevent your fence from running short of the next gate post **DO NOT** install more than one gate for each line of fence to be installed. Additional gates will be installed when the fence reaches the desired gate location.

CAUTION: In areas where ground frost occurs extend the concrete footing below the frost line.

NOTE: Local municipalities may require different hole depths than those shown below. You must verify that these depths meet all local building codes.

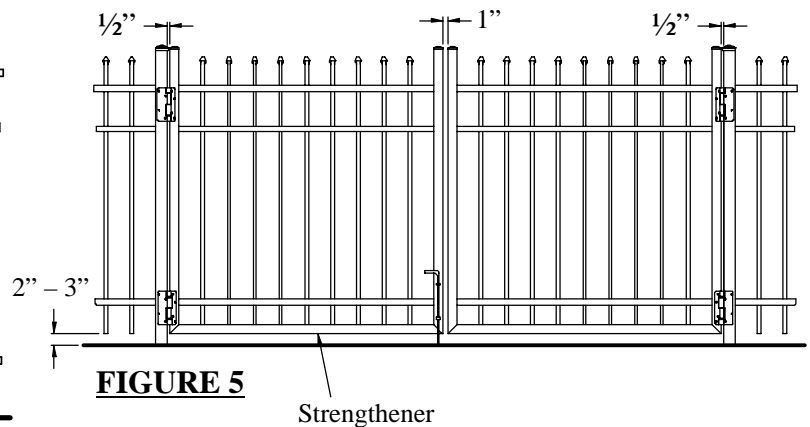
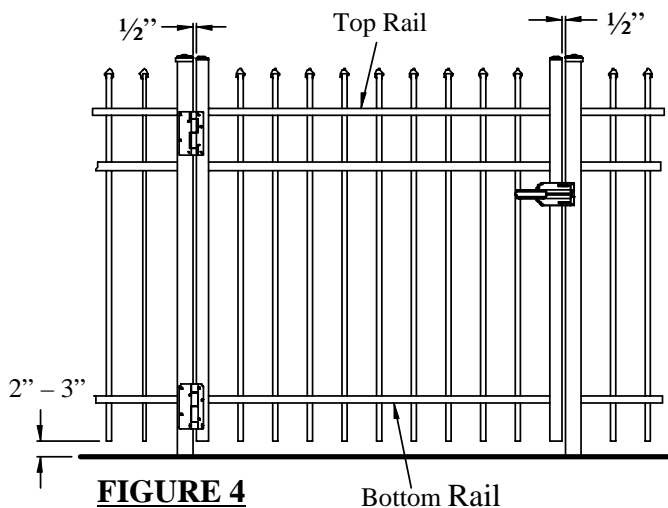


POST DEPTH	
HEIGHT	DEPTH
4' fence	≅ 21"
5' fence	≅ 57"
6' fence	≅ 45"
8' fence	≅ 45"



2. Post Installation

- 2.1. Use a rubber mallet to drive the post caps onto the posts. Be careful not to damage the post or caps. See Figure 3.
- 2.2. For a single gate installation set the gate opening 1" wider than the actual gate. (example: a 36" wide gate actually measures 35" wide and will require the actual gate opening to be 36" wide.) See Figure 4.
- 2.3. For a double drive gate installation set the gate opening 2" wider than the actual width of the two gates. (Example: Two 36" wide gates will actually measure 70" wide overall and will require the opening to be 72" wide.) See Figure 5.
- 2.4. Fill the post hole with a stiff concrete mix being sure that the concrete extends below the bottom of the post.
- 2.5. Be sure the posts are plumb and the fence slots are facing the correct direction while the concrete is setting. Brace the posts as necessary while the concrete is setting.



3. Gate Installation

- 3.1. After the concrete for the post has set the gate may be hung. Place the gate on blocks at the correct elevation (See figure 2 above).
- 3.2. Locate the hinges as far apart as possible on the gate and clamp the hinge post leaf to the post. Verify that the hinge post leaf is completely flush and plumb with the mounting surface, to avoid binding. Note the direction the gate will open. See Figure 6.
- 3.3. Attach the hinges to the post by drilling 7/64" pilot holes and fastening with screws provided.
- 3.4. Center the gate into the opening and attach to the hinges in the same manner as the posts.
- 3.5. If the hinge is to be mounted on a flat surface you may need to shim out the hinge post leaves so that the hinge does not rub or bind against the mounting surface. See Figure 7.
- 3.6. The screws provided with the hinge are intended for securing the hinge to Delgard posts & gates. If the hinge is to be mounted to a masonry column, wood, etc., ask your local building supply dealer to recommend the appropriate fasteners for your mounting application.
- 3.7. Test gates for a smooth free swinging operation, then proceed to install the latch hardware as needed.

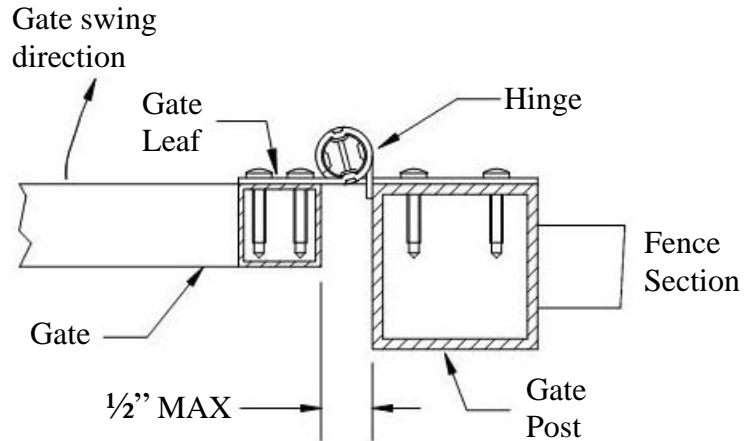


FIGURE 6

Note: Like all mechanical devices, with age and wear, these hinges will require periodic lubrication, readjustment and eventual replacement.

Just as you manually lock your home for security, you must also manually verify the gate is secured each time, as the self-closing motion could be hampered by wind, an obstruction, etc. Remember, where children's safety is involved, double check all barriers to prevent accidents.

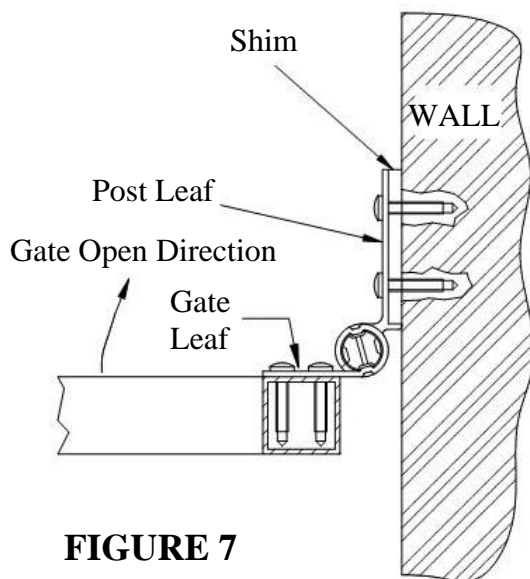


FIGURE 7

4. Hinge Adjustment

- 4.1. To adjust hinge tension, depress the cam with a 5/16" wide tip slotted screwdriver and turn the cam 1/4 turn, then allow the cam to rise to engage the two dimples. Clockwise increases tension. See Figure 8 (on next page). Tension the hinges equally.
- 4.2. Check with the Building Officials as to local requirements and adjust as instructed. In the absence of any local regulations, gates surrounding a pool or other similar risk, should be adjusted so gate can be opened 4", released, and the gate will latch securely. Repeat 5 times. Note: you must use a low friction type latch to meet this requirement.

4.3. Lubricate the hinges using a graphite based lubricant. Apply lubricant to the top of each hinge and remove excess lubricant from painted surfaces.

5. Drop Rods

5.1. Mount a drop rod guide two (2) inches from the bottom of the gate by drilling two (2) 7/64" holes and fastening the guide with two (2) # 6 x 3/4" self-tapping screws. Fasten the drop rod catch 20 inches above the bottom of the gate in the same fashion as the guide. Before fastening the catch, use the drop rod to align the guide and catch. See Figure 9.

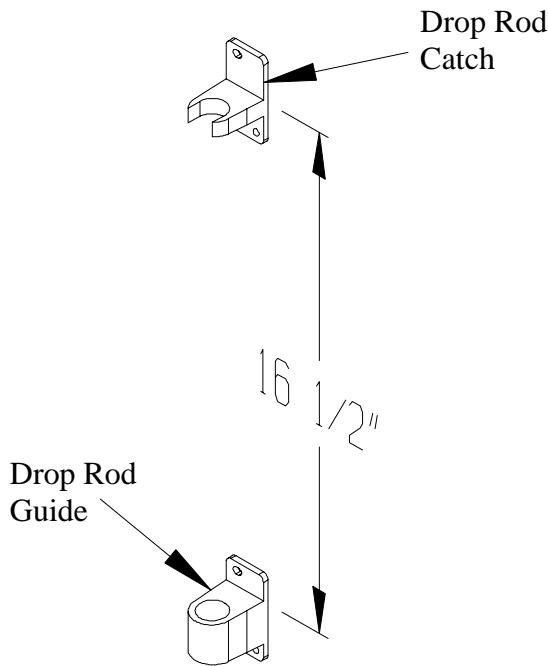


FIGURE 9

6. Regular Maintenance

- 6.1. Check for proper gate operation daily. Lubricate or adjust if necessary.
- 6.2. Keep gate and fence area free of debris and climbable objects.
- 6.3. Check fasteners for tightness and replace any worn or damaged parts.

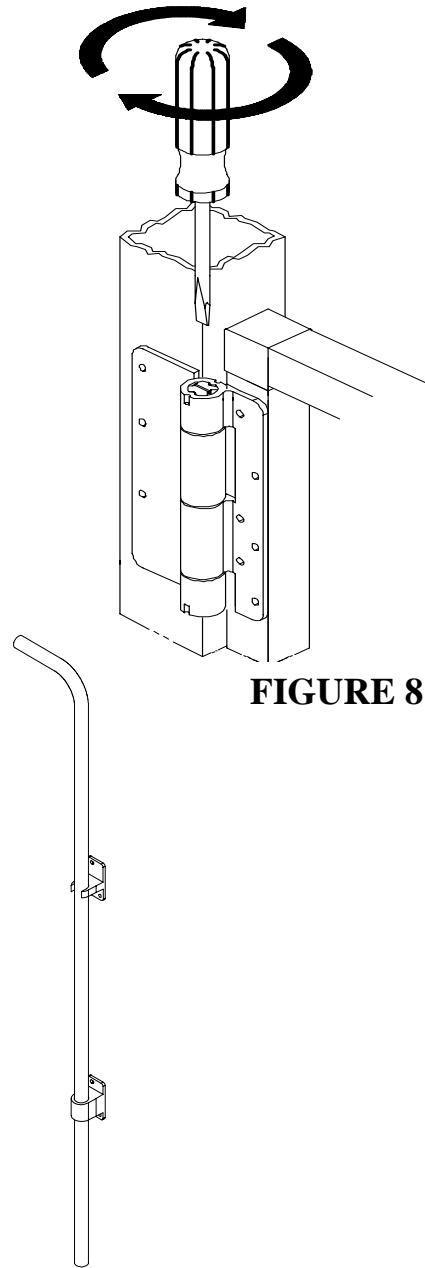


FIGURE 8

DELGARD FENCE COMPANY
8600 RIVER ROAD
DELAIR, NJ 08110-3398 USA